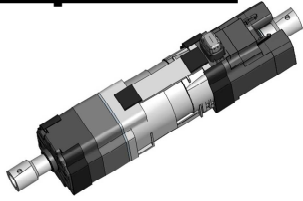


Quick installing guide for J4 io

RECTO

(Please refer to individual instructions for more details)

Actuator not installed in end-product



=> No settings have been made

What you need :



J4 io actuator Situo mobile io VB

STEP 1 **Down End Limit Factory setting**

A Assemble the J4 io actuator into your E.V.B. end product

B Ensure that you are positioned into your wished Down End Limit

C Turn on the power **ON** → **Down End Limit SET (Factory value)**

D Press **my** briefly → **E.V.B. is ready for settings**

STEP 2 **Rotation direction setting**

Press **my** briefly → **E.V.B. do not move**

OR

Press **my** briefly → **E.V.B. move to the wrong direction**

Press **my** long → **Rotation direction CHANGED**

Press **my** briefly → **E.V.B. move to the correct direction**

STEP 3 **Tilting Travel setting**
(E.V.B. must be in Down End Limit, slats closed)

Press **my** during 5s → **General setting mode**

Press **my** briefly → **Tilting Travel setting mode**

Press **my** multiple & briefly → **Go to the maximum opening angle**
OK NOK

Press **my** briefly → **Tilting Travel SET**

STEP 4 **Up End Limit Automatic setting**

Press **my** long → **Up End Limit SET**

EVB stopped onto the mushroom → **Up End Limit SET**

Turn off the power **OFF** → **All basic settings made, actuator ready for delivery**

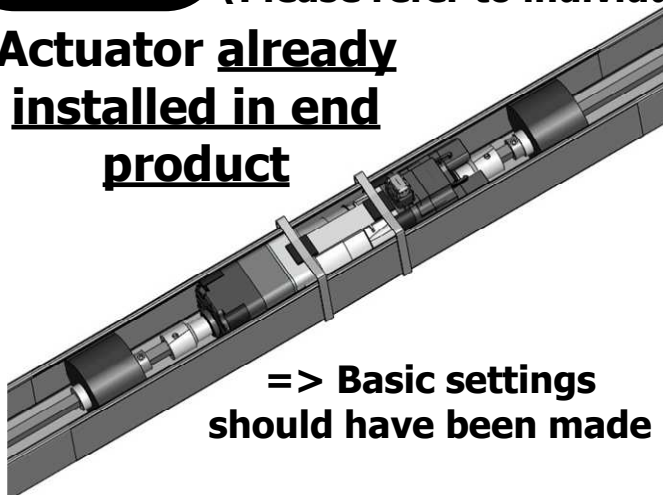
READ
RECTO 1st

Quick installing guide for J4 io

VERSO

(Please refer to individual instructions for more details)

**Actuator already
installed in end
product**



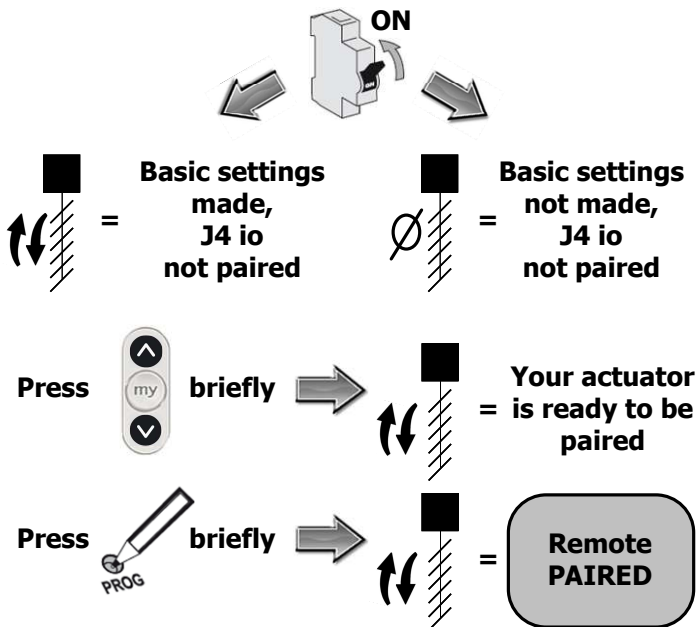
What you need :



J4 io actuator Situo mobile io VB

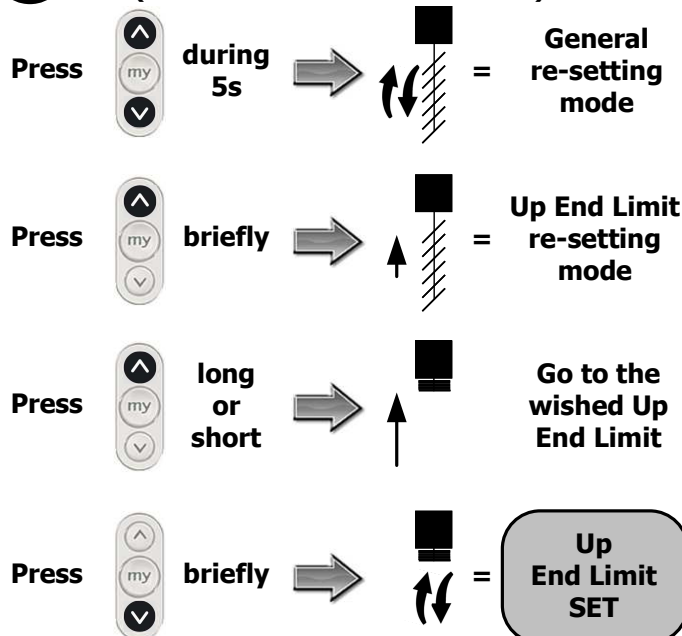
STEP 1

1st remote pairing (E.V.B. has never been paired)



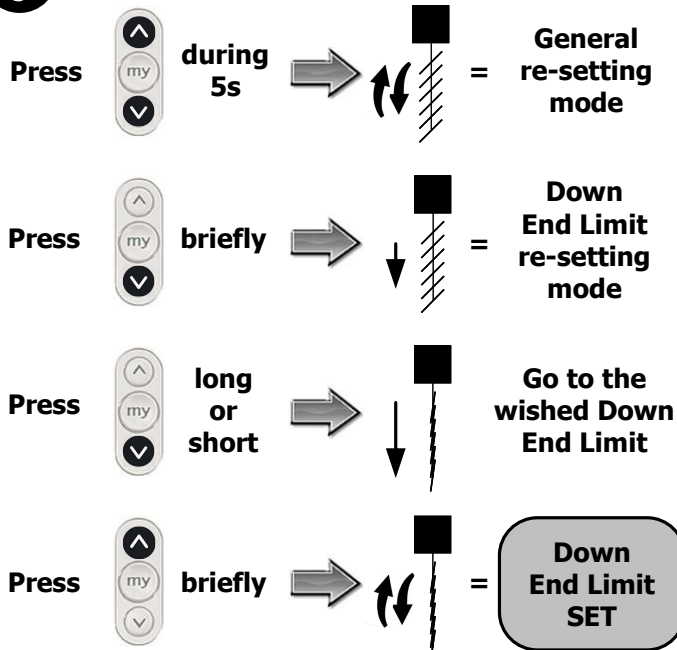
STEP 2

Up End Limit re-setting (E.V.B. must be below mushroom)



STEP 3

Down End Limit re-setting



STEP 4

Tilting Travel re-setting (E.V.B. must be in Down End Limit, slats closed)

